

Daisy Wheel

Play the future now!!



The first 100% full automatic
dispensing system
for refinish paints in the world.

Fillon
Technologies[™]

+33 (0)2 37 38 66 10

sales@fillontech.com

28 210 Faverolles - FRANCE

www.fillontech.com

A new adventure for Daisy Wheel!

Since 2013, when DAISY WHEEL won the gold trophy in the Garage Equipment category of the International Automobile Innovation Grand Prix, the Profession in Europe has benefited from the advantages of the very first **100% automatic** dosing equipment for paint laboratories in bodyshops and distribution stores.

Proud of our experience and success, and in order to continue our efforts to innovate & ensure that our equipment meets the expectations of all bodyshops, our engineers have designed the next generation of Daisy Wheel.

Proud of its new features, and now certified for new markets, Daisy Wheel is finally ready to conquer the world!

Ready for the 3.0 game

1 ENJOY YOUR COLORS!

- An « air-less packaging », specifically designed, protects the paint from air and light!
 - The periodic rotation «Soft Mixing» to always maintain the pigments in suspension!
- An optimal preservation of the paint for a **Perfect Paint Colorimetry!**

2 MAKE PROFITS AND HELP OUR EARTH!

- 0.05g dosing accuracy and reactive scale detecting 0.01g to prepare only the needed quantity for the job!
 - Need more: you replay the exact formula whatever the requested quantity
 - Ideal for spot repairs!
- No waste due to over preparation!**
A consumption reduced to its strict minimum!

3 PREPARE YOUR BODYSHOP TO THE FUTURE!

- Smart & Automatic, Daisy Wheel works for you from the dosing to the stock management!
 - The tints are delivered ready to use!
 - You just have to replace the bottles when empty.
- No paint refilling operation = Time savings for more profitability!
Never been so fast & easy to prepare your paint!

4 MAKE YOUR DAILY WORK A GAME!

- Ideal to be integrated into your mixing room.
 - Closed environment protected from dust.
 - No more manual fastidious pouring, and no more repetitive handlings of paint cans and bottles.
 - The software interface guides you in your daily use.
- Perfect work conditions for your team and optimisation of your productivity!**



Good reasons to adopt it

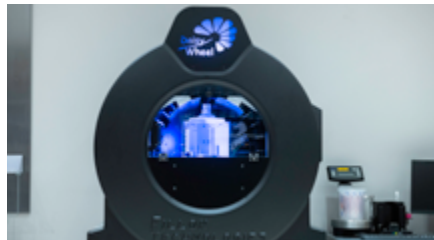
▶ PRODUCTIVITY

Take advantage of time gained through the **100% automatic** dosing process to do other tasks: define the colour for the next car, mask, prepare and most of all, paint!
Optimise your capacities and resources.



▶ LESS WASTE

The extreme accuracy enables you to dose the right quantity. Need more? Daisy Wheel reproduces the exact same formula with the same precision. You reduce your consumption and save money! It is a benefit for your costs and your waste management, and it is **a plus for our planet**. Smart for samples and spot repairs.



▶ QUALITY

Make the paint preparation process more reliable by preventing corrections and mistakes. Your paint is ideally preserved to take full advantage of its quality. **Your workshop at the cutting edge of technology.**

▶ OPTIMUM WORKING CONDITIONS

Workplace easier to maintain clean. Ergonomics and comfort for painters and colorists. Daisy Wheel is **their daily companion**.

▶ A WORLDWIDE LEADER

Imagined, created, developed, made in France by the **worldwide leader in paint mixing machines**, who offers solutions, services, and technical support dedicated to local needs.

New improvements

▶ STATUS OF THE MACHINE

Whatever the machine status, you are informed!



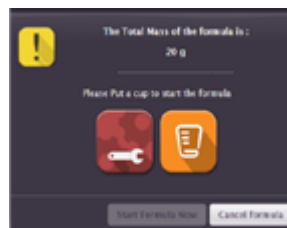
Ready to dose!



Dosing in progress!



Colour job is completed!



▶ DISPOSABLE CUP DETECTION

No cup : no start of the dosing process!
Choose your cup capacity according to the quantity to be dosed!



▶ QR CODE MANAGEMENT

No paint transfer!
Scan of the bottles and valves to prevent misuse!

▶ ATEX & NON ATEX VERSION



Atex version is certified by CSA for both US/CA (for class1, division 2) and IECEX (for zone 2)



Non Atex Version is certified by Curtis Straus for both US/CA for Ordinary Location



▶ 2 SIZES OF BOTTLES - 1 SINGLE VALVE

1 unique valve and cap kit for both 0.5L & 1L bottle, compatible for waterborne and solvent paint. Fitted with an integrated filter: no risk of pollution of the paint.

Technical specifications:

Dimensions (HxWxD)

- Daisy Wheel Machine dimension:
195cm x 120 cm x 671 cm

Optional:

- Table dimensions:
64 cm x 90 cm x 61.5 cm
- ATEX Machine weight : 284 Kg
- NON ATEX Machine weight: 211 Kg
- Machine capacity:
from 96 x 1 L up to 160 x 0,5 L
(according to paint manufacturer configuration)
Disposable dosing cups from 50 mL to 2 L

Electrical data:

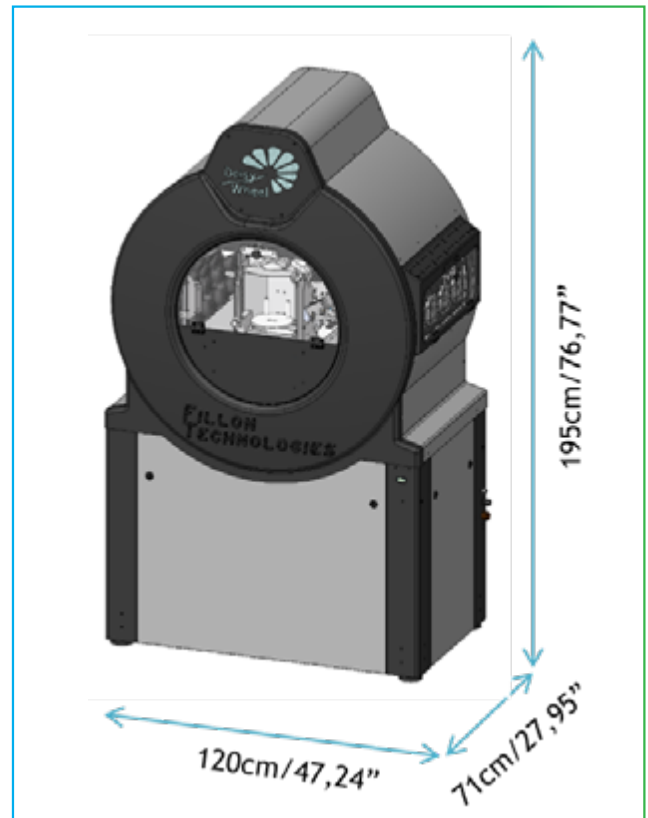
P (W): 100
U (V): 100-240 (50-60Hz)
I (A): 4 max.

- Air network: $6 < P < 10$ bars



II 3 G

Ex 60079-46 IIB+H2 T4 Gc (for complete machine)
Ex mc IIB+H2 T4 Gc (for solenoid)
Ex mc IIB+H2 T4 Gc (for LED module)
Ex ec mc opis IIB+H2 T4 Gc (for Bar code reader)
Ex h IIB+H2 T4 Gc (for non electrical parts of the machine)
 $+5^{\circ}\text{C} \leq \text{Ta} \leq +35^{\circ}\text{C}$.



Contact: