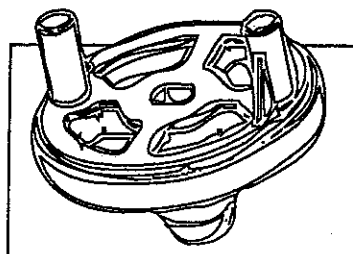


QUICK MIX 220

MODULAR MIXING MACHINE



Quick-Link[®]
WORLD-WIDE PATENTS
S Y S T E M

SERVICE MANUAL

4 1 1 0 8 0 U S A



FILLON PICHON

CONTENTS

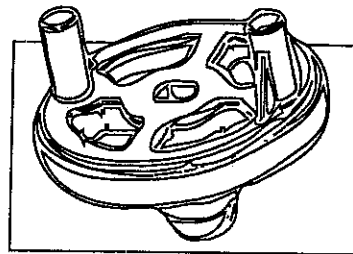
Features	page 2
Assembly and Installation	page 6
Electrical Connections	page 7
Commissioning	page 8
Operation	page 8
Routine Maintenance	page 9
Replacement Parts List	page 11
Summary of Cautions	page 13
Trouble Shooting Chart	page 14
Warranty	page 15

FILLON PICHON USA INC.
70 Commercial Way
East Providence, RI 02914
1-800-777-1583



FEATURES

- Fast and effortless removal and replacement of cans.
- Drive fork fully engages first time, every time- your assurance that all tints are being stirred.
- Can clamps eliminated.
- Clean-up is easy with the help of new alu/zinc shelf covers. Wipe shelves with a mild thinner.
- Positive drive transmission- paint stirred at constant speed.
- New technology shelf belts- no adjustments required.
- Quick-release powerheads prevent dented cans from being 'thrown'.
- New compact design gives easy access to 7 mix shelves.
- Built to ISO 9001 quality standards.



Quick-Link®
WORLD-WIDE PATENTS
S Y S T E M

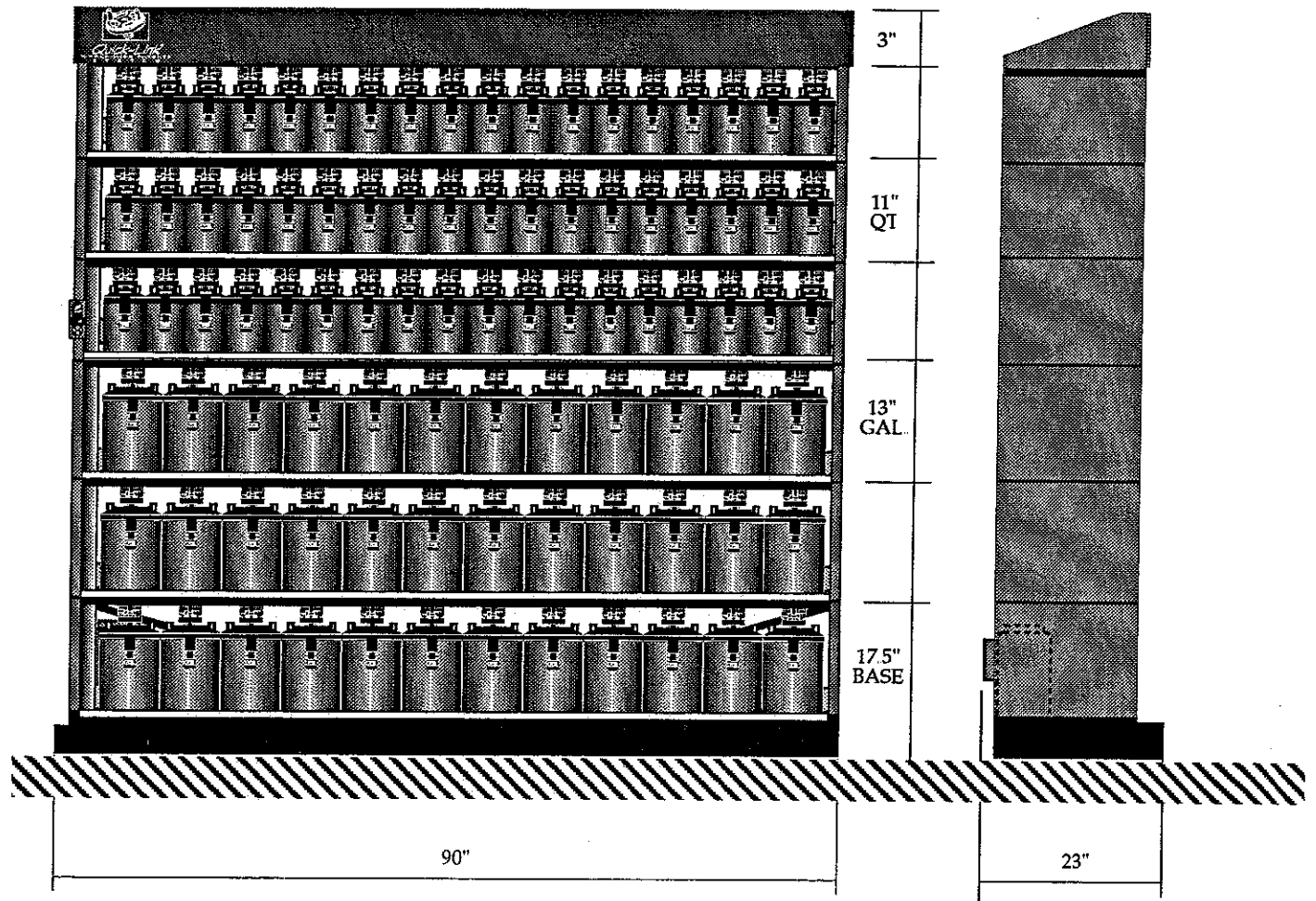
APPROVALS : The Mix-unit, motor, and controls, are designed for use in hazardous locations and are fully Approved in both USA (U.L) and in Canada (C S A).

If you have any questions concerning your equipment, please contact our Customer Service Department.

Monday-Friday 9:00-4:30 p.m. EST. 1-800-777-1583



DIMENSIONS



NOTE: : Above illustration represents only one of several possible configurations.



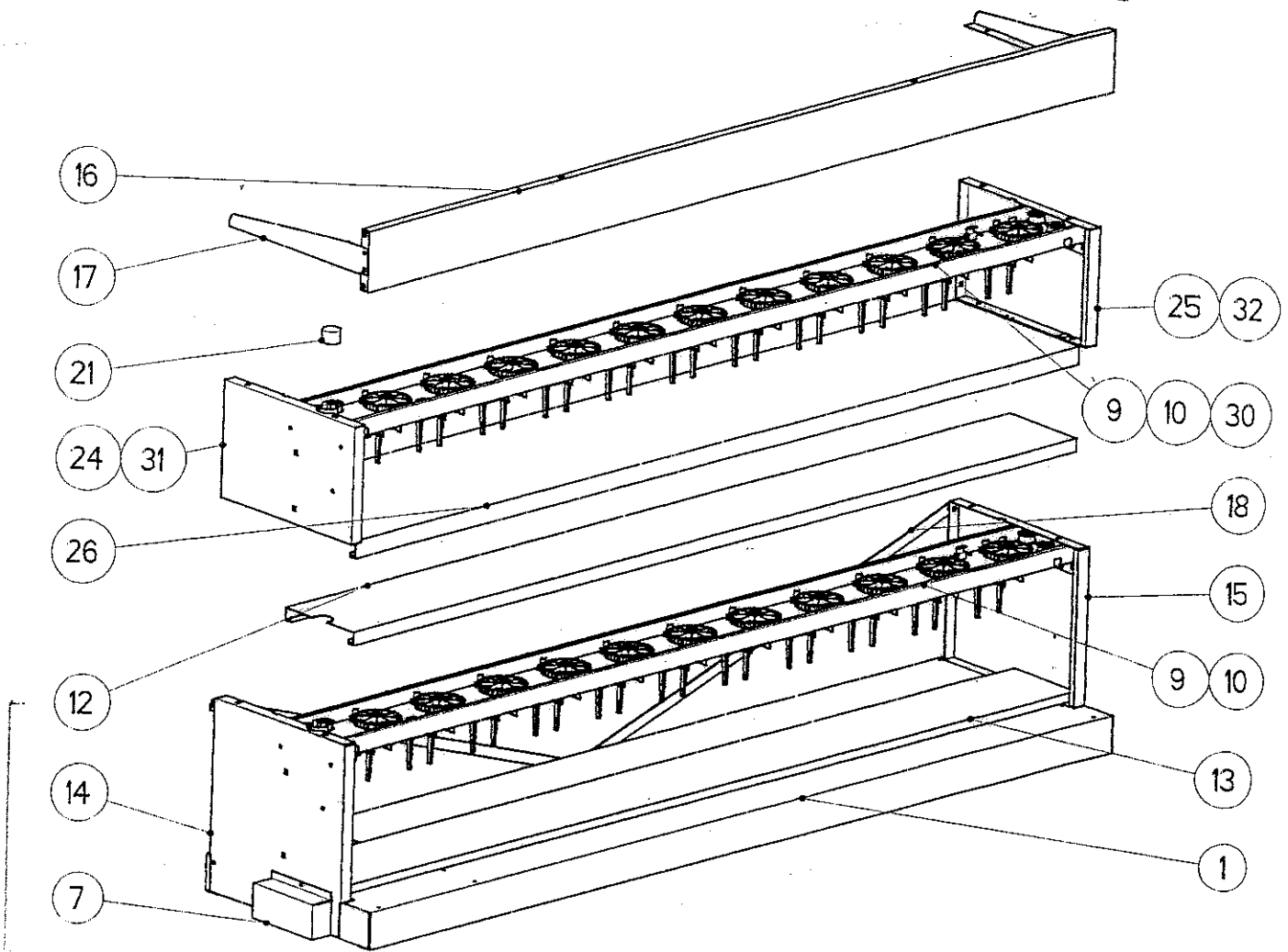
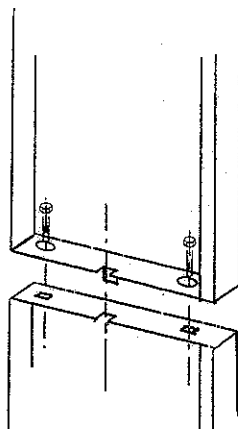


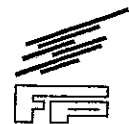
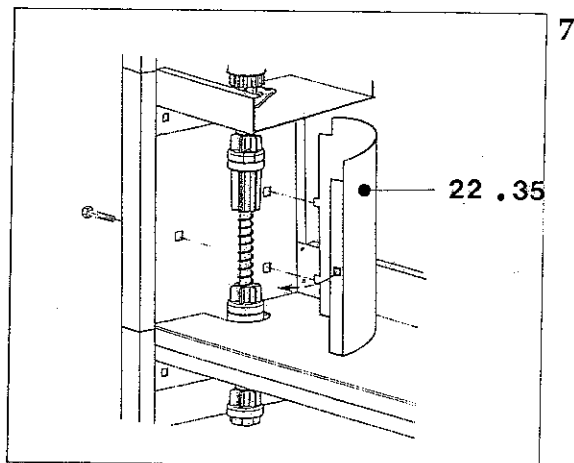
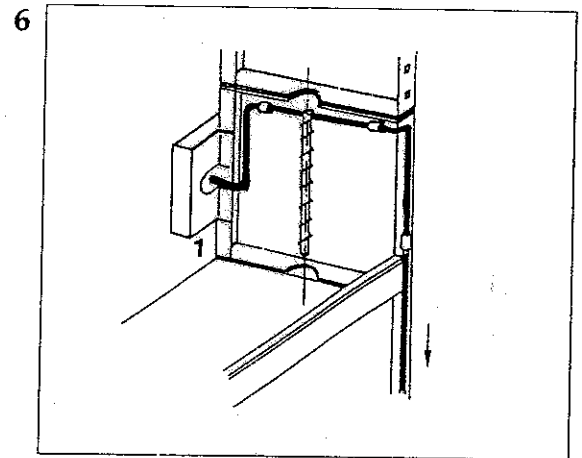
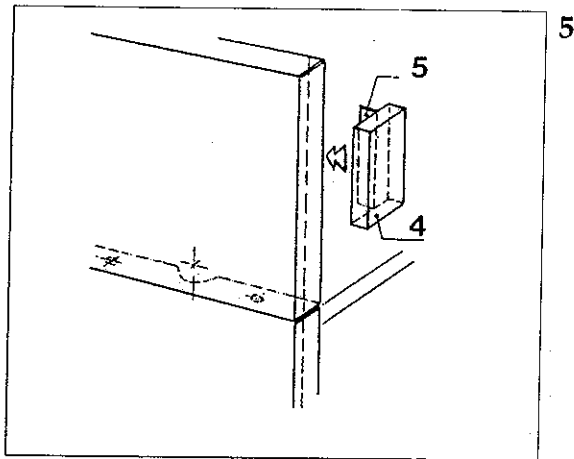
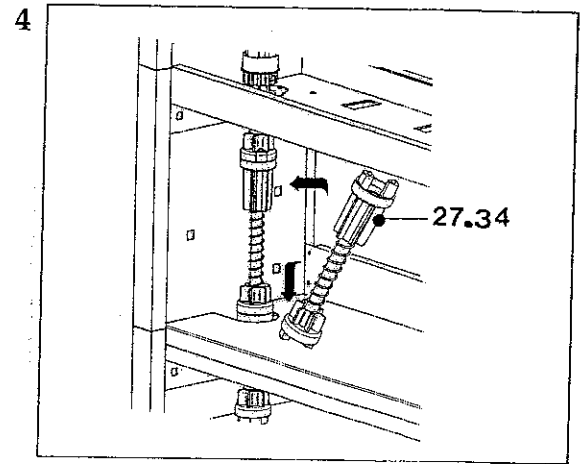
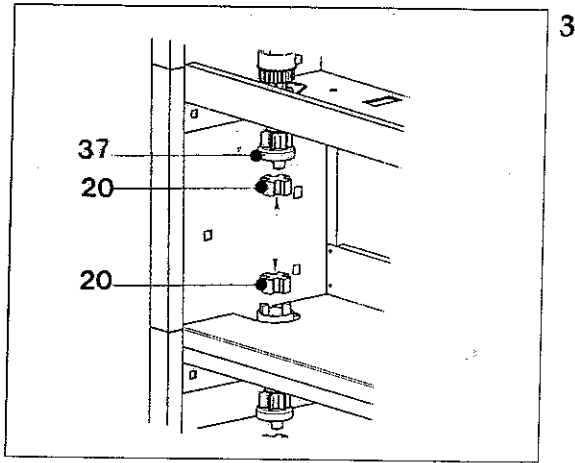
FIG. 1

PLEASE NOTE :

*Top shelf cover is shipped attached to the base unit for transportation purposes
REMOVE before placing mix-shelves onto the base unit*

FIG. 2





ASSEMBLY AND INSTALLATION

REFER TO DIAGRAMS ON PAGES 4 AND 5

The mix unit should not be installed in a damp place or close to any source of heat. Allow a two-foot clearance behind the machine during assembly for later electrical connections.

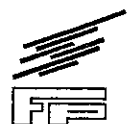
STEPS

1. Place the base near the site you wish to set-up the unit allowing a two-foot clearance behind the machine for electrical connections.
2. REMOVE and place aside the GRAY top-shelf cover which is shipped attached to the base unit. This will later be used to cover the belts and pulleys on the top mix-shelf.
3. Place and bolt shelves to desired configuration (figures 1 and 2).
4. Mount top cover on last mix-shelf (fig. 1).
5. Mount transmission shafts:
 - a. Start from the bottom shelf, and mount the two cross-pieces, one on the lower drive sleeve, the other on the upper drive sleeve of each mix shelf (fig.3).
 - b. Locate the lower drive shaft sleeve, and pull down the spring-loaded upper sleeve and engage it in the top cross piece (fig 4).

Tip: line up upper drive sleeve by rotating the fork of the drive block above it with a wrench.

6. Mount yellow safety cap over top drive block fork.
7. Mount the explosion-proof digital timer (see figs.5 and 6).
Plug timer cable connector into the motor socket.
Locate connector pins carefully, then push connector firmly home.
8. Insert tab at base of drive shaft covers into shelves and bolt into place (figure 7).
9. Using brackets provided, mount header panel to top mix-shelf. Note: header panel can be mounted in two positions

Check to ensure all bolts are tight.



ELECTRICAL CONNECTIONS

Your mix unit is equipped with an explosion-proof 3/4 hp motor (115 V/230V - 60 Hz) which complies with UL and CSA standards (Class 1, Division I, Group D). For this reason, the motor must be installed by a QUALIFIED ELECTRICIAN ONLY.

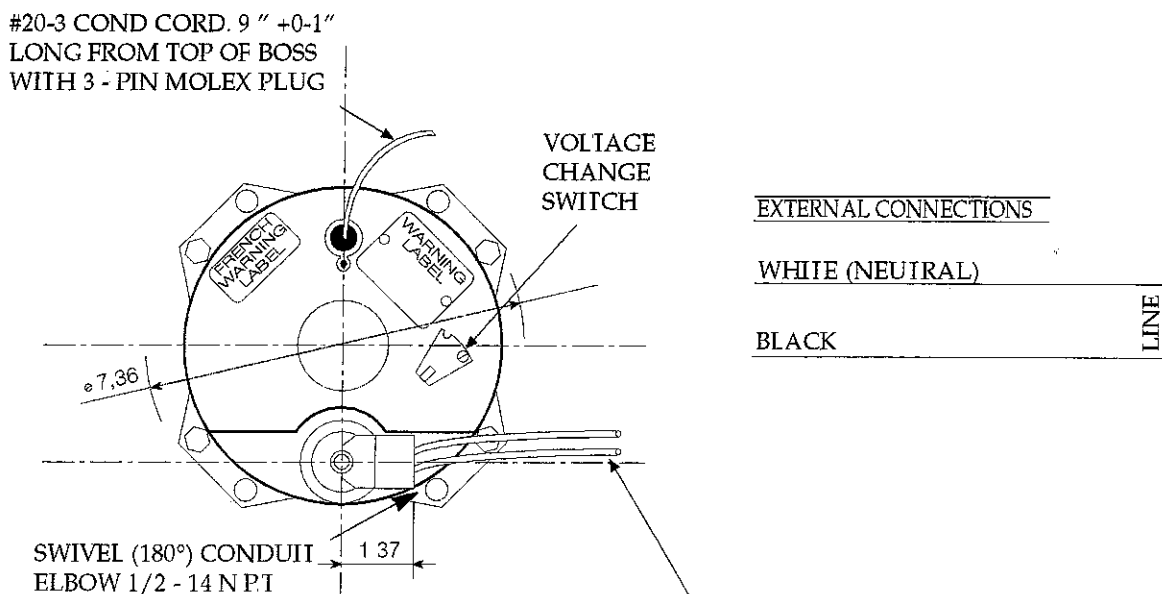
Installation should be in accordance with all Federal, State and local regulations.

The intrinsically safe digital timer is UL and CSA approved. (Class 1, Division I, Group D) for use in hazardous locations.

Motor Connection Information

This 3/4 hp motor can be connected for either low (115V) or high (230V) by first removing the screw from the Voltage Change Switch, turning the switch to the appropriate position and the replacing the screw. The motor is factory set at 115V. Full load current for this motor will be 9,4 amps on 115V and 4,7 amps for a 230V connection. Voltage tolerance is (+/-) 10 %.

The external connection diagram is as follows:



TWO LINE LEADS TO EXTEND 62 " +2 -0 FROM : OF CONDUIT BOSS WITH .44 " STRIPPING. LEAD MATERIAL NO 14 AWG WITH CROSS-LINK POLYETHYLENE INSULATION. 600V. 125°C GASOLINE AND OIL RESISTANT U L & CSA APPROVED.



COMMISSIONING

Before first using your mix-unit, check that:

1. The operator has read and understood all caution markings and text on the mix-unit and in the service manual.
2. The power supply is compatible with the power consumption of the machine (11 amps).
3. The mains fuse/breaker is compatible with the power consumption of the machine (11 amps).
4. All drive shaft and mix-shelf covers are firmly in place.
5. All electrical connections are safely covered.
6. All nuts and bolts are tight. They may have worked loose in transport.
7. The unit is installed away from any source of heat (explosive vapors).
8. Do not use dented cans. Check manually that the agitator blades turn freely, before placing can in mix-unit.
9. The timer display should flash when power is applied. If it doesn't, verify that the cable is connected or if the cable is damaged. If damaged, **DO NOT ATTEMPT TO REPAIR OR REPLACE.** Call Fillon Pichon at 1-800-777-1583.

OPERATION

1. Make sure that agitator lids are firmly locked on cans before placing in mix-unit.
2. If possible, place small cans rather than large cans on higher mix-shelves for easier handling and greater safety. Do not over-extend to reach paint cans.
3. Paint cans may be safely placed in or removed from the mix-unit while the machine is turning.
4. Ensure all gates (fig 11) are in 'down' position before starting machine.
5. When the machine is started, the cans will turn slightly until the pouring spouts of the lids touch the gates. This is normal and quite safe.
6. All pulleys are equipped with a quick-release mechanism, which will be activated (clicking sound) if a paddle meets resistance from a dented can. The can should be changed at once. However, no damage will be caused if the machine continues to operate.
7. To access the rear storage space, lift gates forward into the 'up' position.
Pull gates down before operating the machine.
8. Do not sit on the work surface.



DIGITAL TIMER

1. The digital timer is pre-set for 15 minutes of continuous operation.
To commence operations simply press START.
2. To add or subtract agitation time, press STOP, then use the (-) or (+) buttons to adjust the minutes, then press START.
3. To stop the machine at any time during operations, press STOP.

ROUTINE MAINTENANCE

Caution: Before removing any protective covers, and prior to any maintenance or repair operations, make sure the unit is OFF (disconnect the unit if possible).

Your mix-unit will serve you longer, and risk of accidents will be reduced, if regular maintenance is carried out.

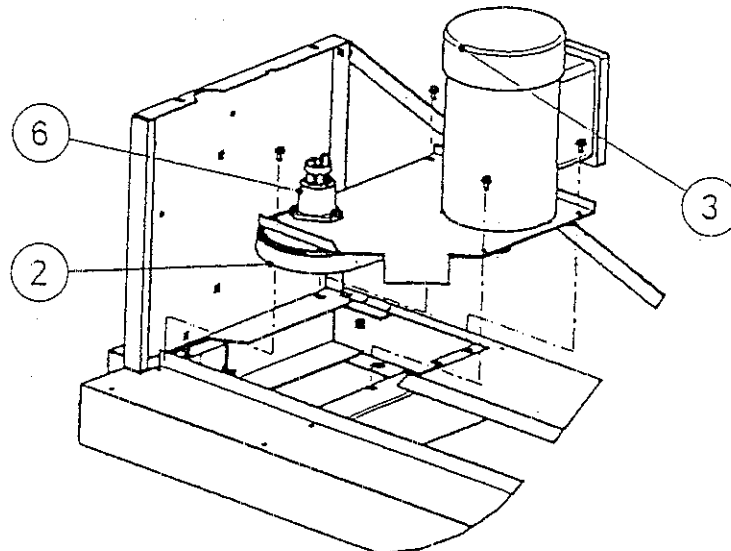
Daily: Remove any spilled paint from the mix-shelves. Dried paint spills make cans unstable and difficult to remove from the shelves. Use a standard non-abrasive thinner.

NEVER USE WATER TO WASH DOWN THE MIX-UNIT.

Monthly: Check condition and tension of the motor drive belt.

NO MOTOR BELT ADJUSTMENT

FIG.9



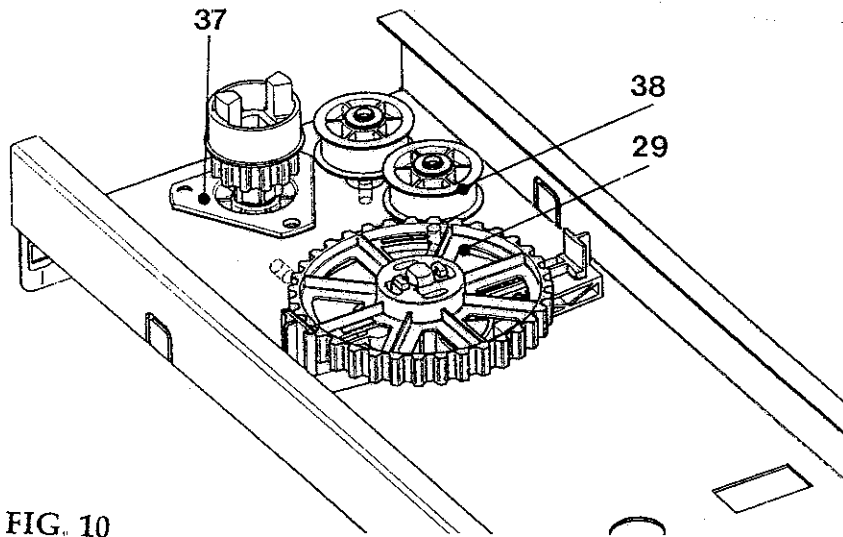


FIG. 10

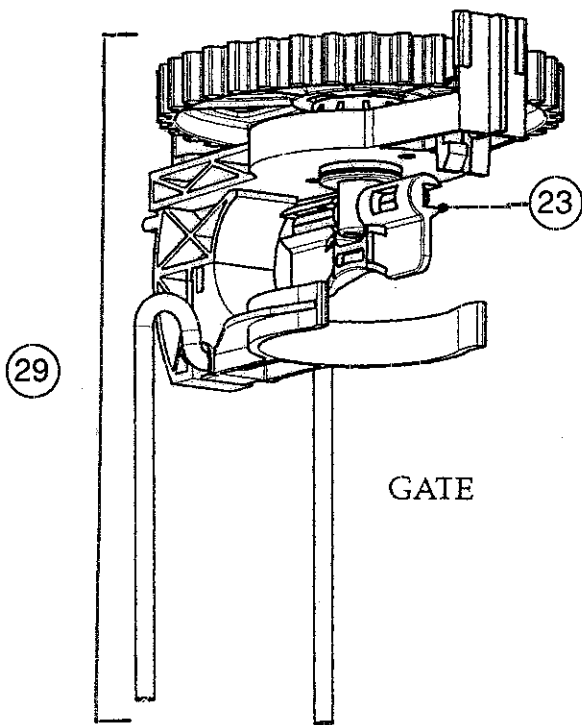
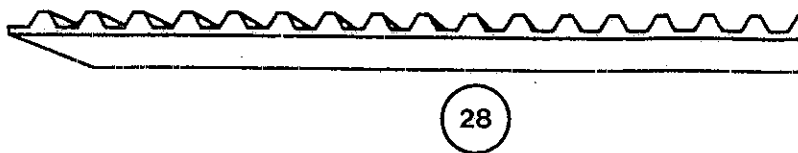
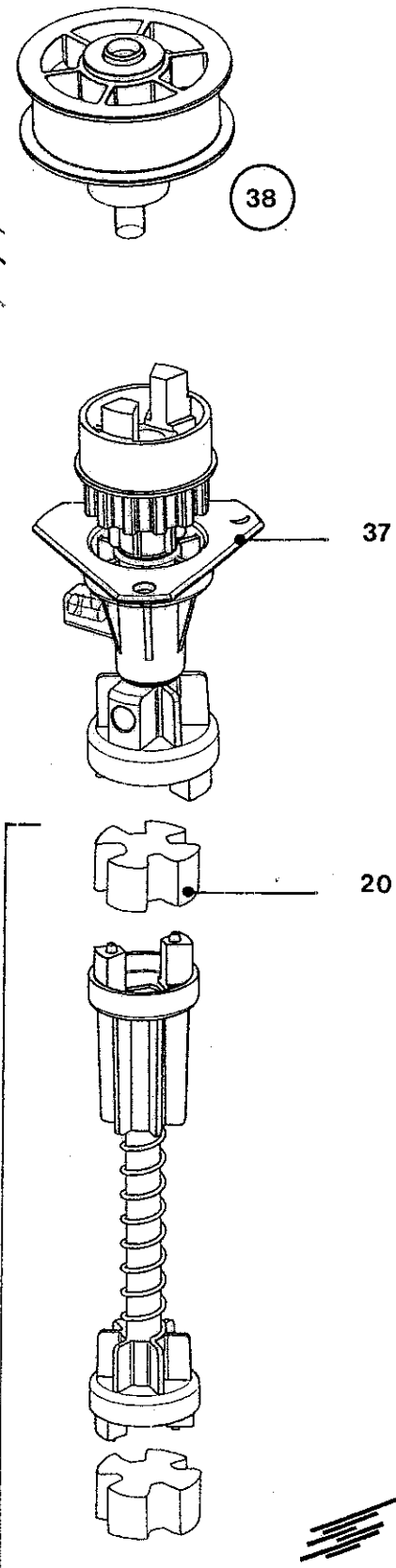


FIG. 11



19 . 27 . 34

FIG. 12



PARTS LIST

A. BASE UNIT

		PART
1	Base frame complete	15.108.03D
2	Motor belt (Poly. V)	03.01.105
3	3/4 HP Explosion-Proof Motor	E.09
23-3	Motor Pulley only (with self locking)	04.10.60D
4	XP Digital timer w/ cable	E.09.T
5	LCD Timer mounting bracket	24.111.00
6	Motor support plate, complete with driven pulley	20.65.00D
-	*Pulley drive block (complete)	08.115.10
7	Driven pulley housing	19.55.10
-	Tool kit	08.50.82
9	12-place mechanical stage, complete	12.114.10F
10	11-place mechanical stage, complete	12.113.10F
37	QL Drive block	08.96.00
12	Paint top shelf cover	13.12.01
13	Bottom shelf cover	13.26.27
14	Bottom shelf side panel (LH)	11.45.20D
15	Bottom shelf side panel (RH)	11.45.21D
16	Header plate	18.104.00
17	Header plate brackets (LH/RH)	18.104.01/02
18	Rear cross brace	25.33.00
19	Bottom shelf drive shaft, complete (shaft L=195 mm + spring + sleeve + cross pieces)	08.50.72
20	Cross-piece (only)	04.20.01
21	Yellow safety cap	03.09.15
22	Shaft cover (large cans)	19.09.302D
29	QL plastic assembly, complete	08.98.00D
23	Driving device with pin (only)	04.20.07D
38	Shelf belt roller	08.97.00
28	Shelf belt (4550 mm)	03.01.102



PARTS LIST

B. MIX-SHELF- LARGE CANS

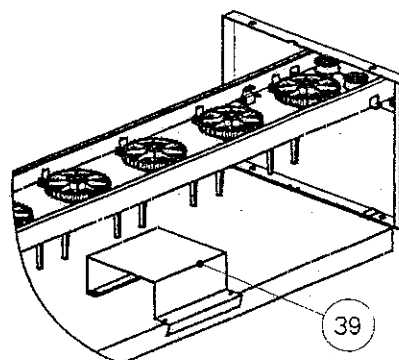
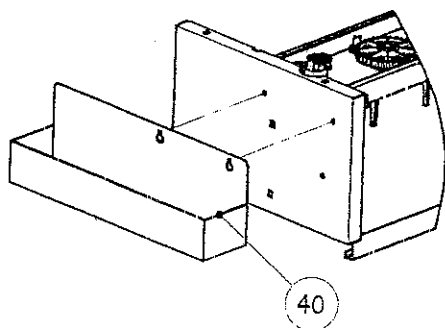
		PART
9	12-Place mechanical stage, complete	12.114.10F
10	11-place mechanical stage, complete	12.113.10F
23	Driving device with pin (only)	04.20.07D
24	Side panel (LH)	11.45.22D
25	Side panel (RH)	11.45.23D
26	Shelf cover, with end-tabs	13.32.10
27	Drive shaft QL(L195 mm) complete	08.50.72
22	Shaft cover (Large cans)	19.09.302D
28	Shelf belt (4550 mm)	03.01.102
29	QL plastic assembly, complete	08.98.00D
37	QL Drive block	08.96.00
38	Shelf belt roller	08.97.00

C. MIX-SHELF- SMALL CANS

		PART
30	18-place mechanical stage, complete	12.115.10F
31	Side panel (LH)	11.45.24D
32	Side panel (RH)	11.45.25D
26	Shelf cover, with end-tabs	13.32.10
34	Drive shaft QL(130mm) complete	08.50.80
35	Shaft cover (Small cans)	19.09.305D
23	Driving device with pin (only)	04.20.07D
28	Shelf belt (4550 mm)	03.01.102
29	QL plastic assembly, complete	08.98.00D
37	QL Drive block	08.96.00
38	Shelf belt roller	08.97.00

D. OPTIONAL

		PART
39	Magnetic quart platforms	21.06.05
40	Powder pearl tray	130.PPT.01



SUMMARY OF CAUTIONS

1. The mix-unit should be installed in a damp-free place, away from any source of heat.
2. Connection of the mix-unit, as well as any check, adjustment or repair of any electrical component (motor, connections etc.) should be carried out only by a **FULLY QUALIFIED ELECTRICIAN**. Installation must be in accordance with all Federal, State and local regulations and the unit must be fully grounded.
3. All electrical connections should be covered at all times.
4. Protective covers should always be in position. They are provided to protect you against any possible risk of injury.
5. Before removing protective covers, and prior to maintenance or repair operation, make sure the mains power is switched OFF (disconnect the unit if possible).
6. The upper mix-shelves should be reserved for smaller cans, which are lighter and thus easier to handle.
7. Do not use dented cans. Check manually that the agitator blades turn freely before placing cans in mix-unit.
8. Make sure the agitator lids are firmly secured before placing cans in the mix-unit or switching the unit on.
9. Do not over-extend when placing or removing cans from the mix-unit.
10. Never use water to wash down the mix-unit.
11. The mains fuse breaker must be compatible with the power consumption of the machine (11 amps).
12. Do not sit on the work surface.
13. Make sure all gates are in the down position before operating the machine.

The manufacturer cannot be held responsible for any accident resulting from non-compliance with the cautions contained in this manual or affixed to the mix-unit, nor in the case of a mix-unit modified without the prior knowledge and written consent of the manufacturer.



TROUBLE-SHOOTING CHART

PROBLEM	POSSIBLE CAUSE	SOLUTIONS
Motor will not turn	No current Timer not activated. Internal motor problem.	Check power supply 115V/60HZ Activate timer. DO NOT OPEN MOTOR Call Fillon at 800-777-1583.
Digital timer will not work	No current Internal problem.	Check power supply 115V/60HZ. Check connection of the cable. Check condition of the cable. If damaged, DO NOT ATTEMPT TO REPLACE. Call Fillon . DO NOT OPEN, call Fillon.
No mix-shelf will turn.	Motor not turning Worn, loose or slipped motor belt; or belt too tight. Loose motor pulley.	See above. If slipped, remount. If loose or too tight adjust tension. If worn, replace Tighten pulley set-screw.
Individual mix-shelf won't turn.	Worn driving cross piece. Drive block seizes or heats up.	Replace cross piece. Change block.
Agitator paddle won't turn	Dent in can Broken drive fork. Lid badly seated on can.	Transfer paint to new can Replace fork. Re-locate lid.

FILLON PICHON TOLL-FREE ASSISTANCE

1-800-777-1583.



WARRANTY

FILLON PICHON USA, INC. warrants its products to be free from defects in material and workmanship under normal use and service.

FILLON PICHON USA, INC. will replace or repair any part of its products which it determines is defective for a period of 18 months after shipment from our warehouse. Not included under the terms of the warranty are any parts which require replacement due to normal wear and tear (belts, fuses etc.).

All warranty claims should be made by contacting Fillon Pichon USA, Inc. Under no circumstances should the product (s) or any part thereof be returned to the factory for inspection, replacement or repair without the express written consent of Fillon Pichon USA, Inc.

This warranty is expressly in lieu of all other warranties and representations expressed or implied, and all other obligations and liabilities on the part of FILLON PICHON USA, INC.

This warranty shall be valid for the warranty period, as long as the equipment has been properly installed or repaired by a fully qualified electrician or mechanic. The warranty shall be void, if the equipment has been subjected to unauthorized modifications, misuse, neglect, accident or non-compliance with instructions in the service manual.

